

Centrifugal Fan and Blower

SIMATEK CO., LTD.

Simatek

Air Pollution Control Systems



Custom-Made Centrifugal Fan

SIMATEK CO., LTD.



SIMATEK CO., LTD.



20/9 M6. Soi Chatu Chot 4, Chatu Chot Rd.,
Or-Nerng, Saimai, Bangkok 10220 THAILAND.
Tel: +66 2974 5630 Fax: +66 2974 5640
www.simatekasia.com www.simatek.co.th
e-mail : office@simatekasia.com

Heavy Duty Application
High Efficiency
High Performance
Low Noise Emission
Less Power Consumption

Centrifugal Fan And Blower

SIMATEK CO., LTD.

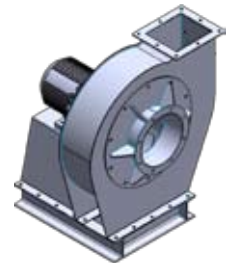
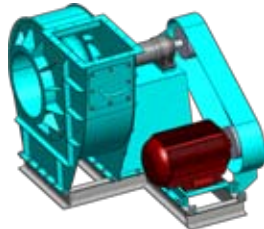
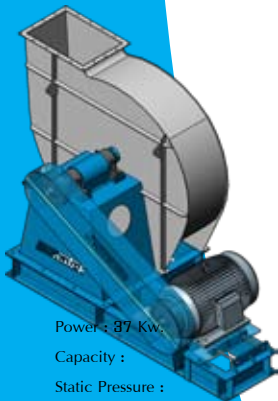
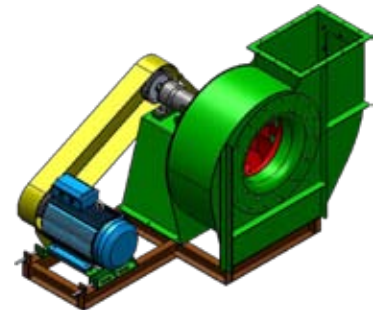
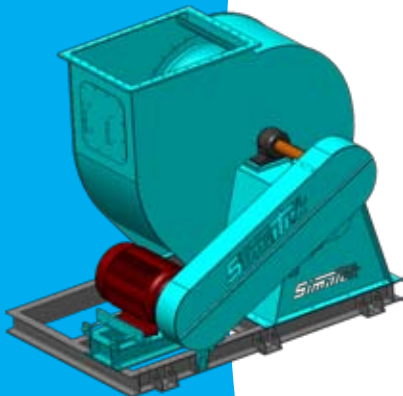
Centrifugal Fan and Blower

SIMATEK CO., LTD.

Simatek

Air Pollution Control Systems

Custom-Made Centrifugal Fan



Power : 90 Kw.
Capacity :
Static Pressure :

Power : 87 Kw.
Capacity :
Static Pressure :

Power : 11 Kw.
Capacity :
Static Pressure :



SIMATEK CO., LTD.

20/9 M6. Soi Chatu Chot 4, Chatu Chot Rd.,
Or-Nerng, Saimai, Bangkok 10220 THAILAND.
Tel: +66 2974 5630 Fax: +66 2974 5640

www.simatekasia.com www.simatek.co.th
e-mail : office@simatekasia.com

Agent / Distributors :