

Membrane Valve & Accessories



SMT-25



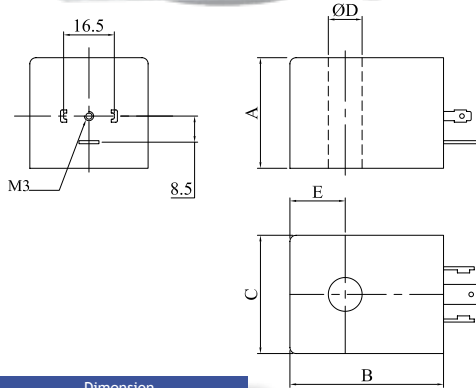
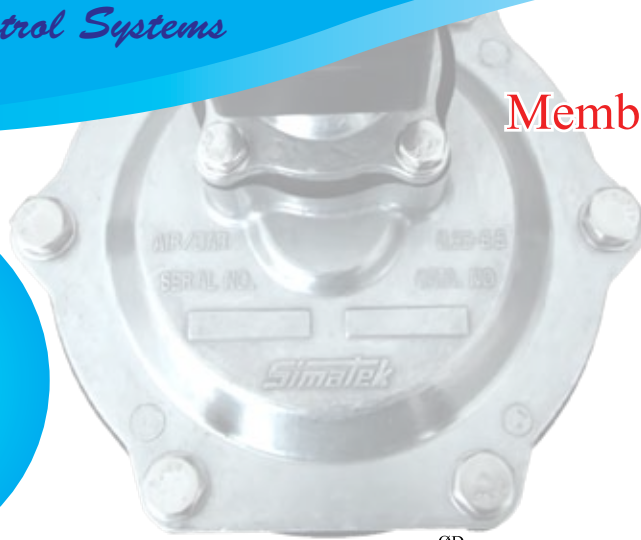
SMT-40



SMT-50



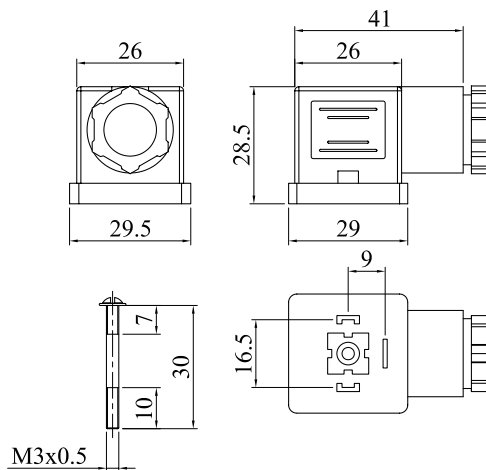
SMT-62



Dimension					
A	B	C	φD	E	
40	50	44.5	14	20	For Model SMT-Z-62S/ SMT-Z-50S/SMT-Z-40S
36	50	38.5	11	18	For Model SMT-Z-25



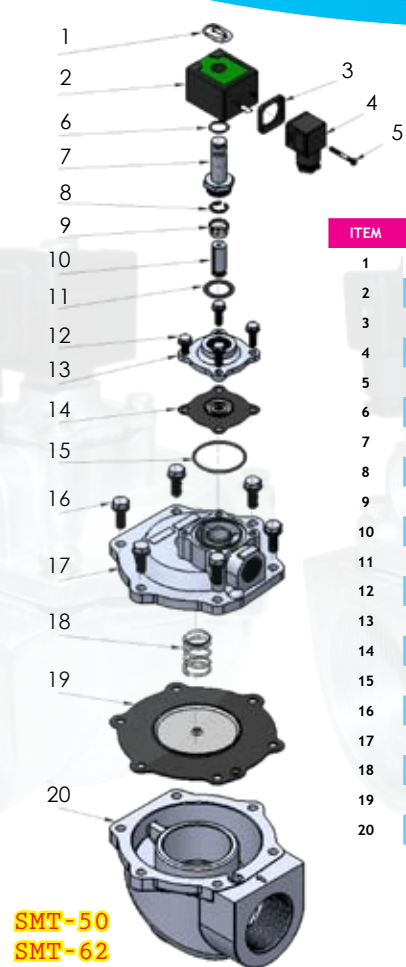
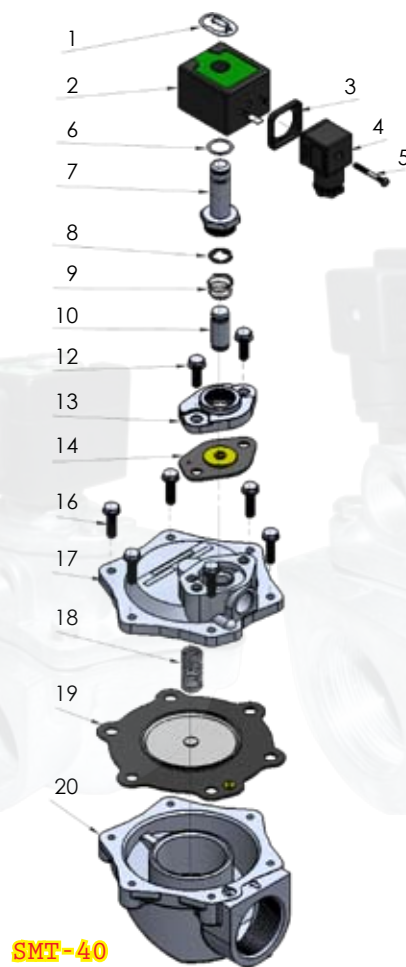
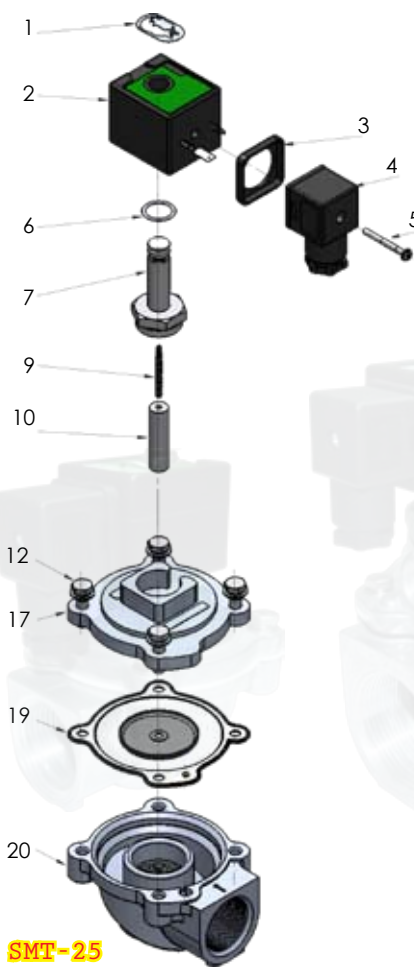
Technical Parameter	
Normal Voltage	AC220V / DC24V
Normal Power	AC:22VA 18VA / DC:21W (Other Power Can Be Customized)
Insulation Class	H
Connection Type	DIN43650B
Applicability	Pneumatic, Steam, Refuels Equipment Solenoid Valve



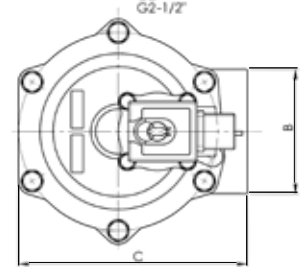
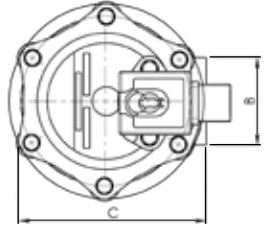
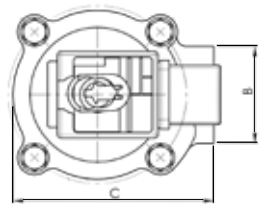
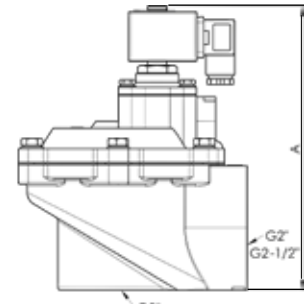
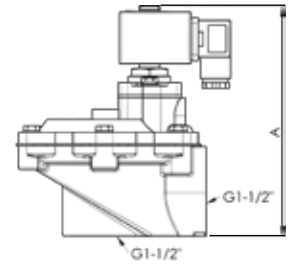
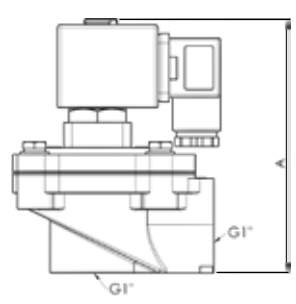
Technical Parameter	
Distance :	16.5mm
Form :	2+1GND , 3+1GND
Protection Class :	IP65 (60529 Situation of IEC)
Working Voltage :	AC 250V DC 300V
Nomical Current :	10A
Contact Resistance :	<5mΩ
Max Conductor Section :	3x1.5mm ²
Fixing Screw :	M3x30

Technical Parameter				
Model No.	SMT-25	SMT-40	SMT-50	SMT-62
Working-Pressure	0.3 - 0.8Mpa			
Ambient Temperature	-5 - 55°C			
Relative Humidity	< 85%			
Working Medium	Clean Air			
Voltage	AC110V / AC220V / DC24V			
Diaphragm Life	Over One Million Cycles			
Orifice	φ 25	φ 40	φ 50	φ 62
Connection Port	G1"	G1-1/2"	G2"	G2-1/2"

Membrane Valve & Accessories



ITEM	DESCRIPTION
1	Retaining Clip
2	Coil
3	Gasket
4	Connector Assemble
5	Screw M3
6	Spring Washer
7	SoL.Base Sub-Assemble
8	Core Guide
9	Spring Core
10	Core Assemble
11	O-Ring
12	Screw M6/Spring Washer/Washer
13	Bonnet Pilot
14	Diaphragm / Seat Assemble Pilot
15	Gasket, Bonnet Pilot
16	Screw M8/Spring Washer/Washer
17	Bonnet
18	Spring
19	Diaphragm Assemble
20	Valve Body



Model	Port Size	A	B	C
SMT-25	1"	110	43	90.5
SMT-40	1-1/2"	166	61	132
SMT-50	2"	212	91	167.5
SMT-62	2-1/2"	212	91	167.5



SIMATEK CO., LTD.
 20/9 M6. Soi Chatu Chot 4, Chatu Chot Rd.,
 Or-Nerng, Saimai, Bangkok 10220 THAILAND.
 Tel:+66 2974 5630 Fax:+66 2974 5640
 www.simatekasia.com www.simatek.co.th
 e-mail : office@simatekasia.com

Agent / Distributors :