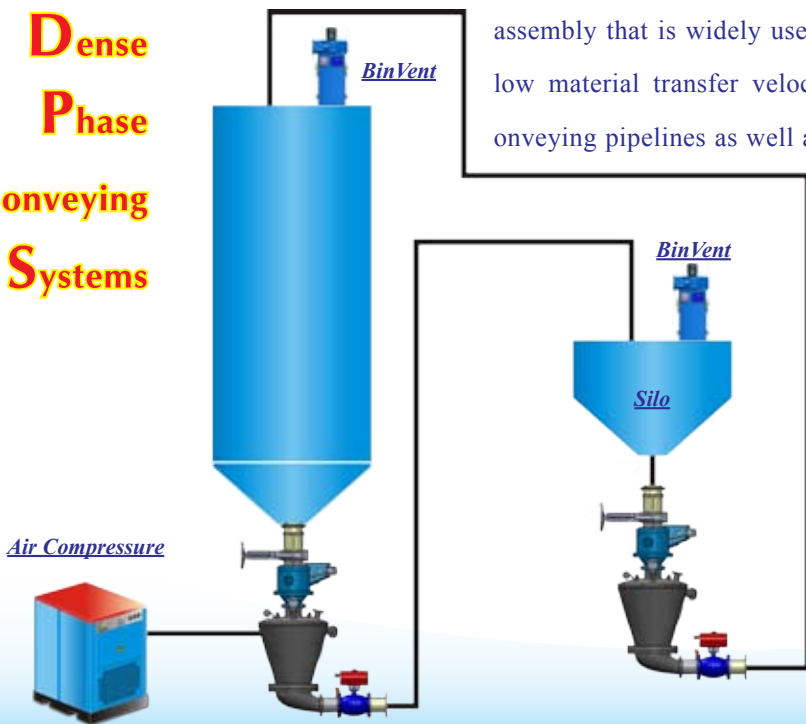


Dense-phase conveying system

SIMATEK's Denseveyor is a low velocity dense-phase conveying system assembly that is widely used throughout all process industries. The system achieves low material transfer velocities, and the benefits are considerably reduced wear to conveying pipelines as well as remarkable power cost savings. The system is available

in a wide range of sizes and materials of construction for applications with almost all bulk materials where operating economy and extreme reliability is required. The only moving part in the system is the quarter turn Dome Valve. Designed for more than one million cycles between inspections, the valve exceeds the performance of all other valves where continous service with abrassive materials and a secure pressure diferential is required.

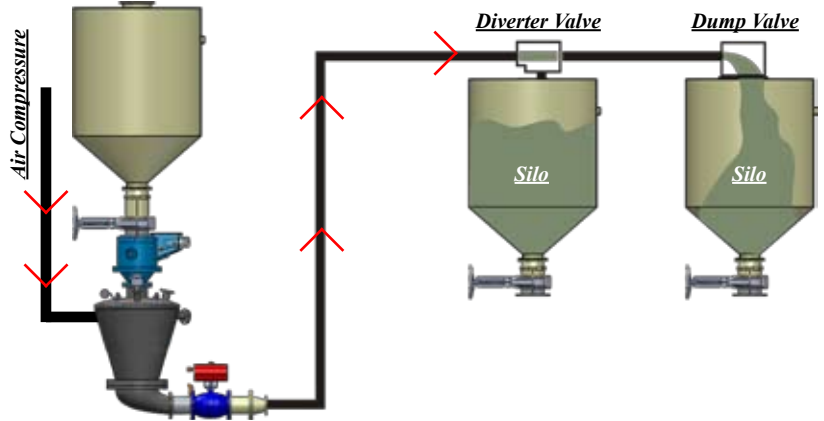
**Dense
Phase
Conveying
Systems**



Dense-phase conveying system



Typical Application

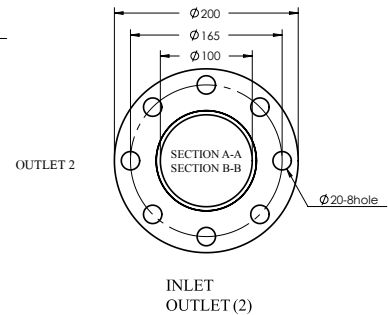
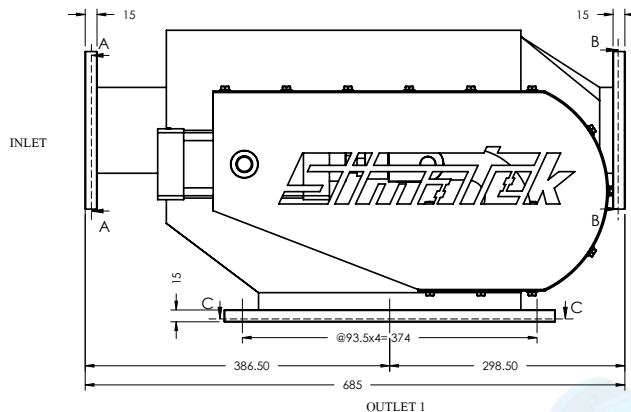
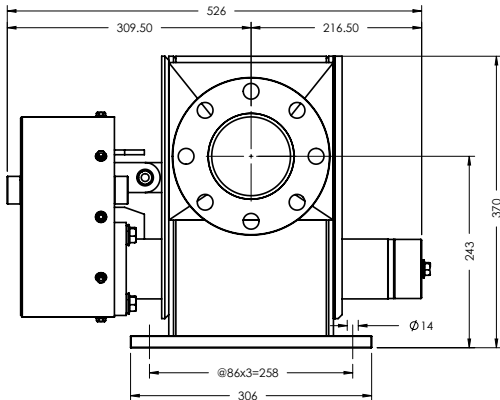


Dense-phase conveying system

SIMATEK's Diverter Valve range comprises a wide variety of construction options, actuations and applications.

Utilising sealed flap, rotary plug, slidegate or pinch valve methods in cast and fabricated bodies, a diversity of powdered and granular products can be handled in gravity, pressure and vacuum driven environments.

The Box Slider variant is of particular interest where a minimum of product degradation and component wear is critical.



SIMATEK CO., LTD.
 20/9 M6. Soi Chatu Chot 4, Chatu Chot Rd.,
 Or-Nerng, Saimai, Bangkok 10220 THAILAND.
 Tel:+66 2974 5630 Fax:+66 2974 5640
 www.simatekasia.com www.simatek.co.th
 e-mail : office@simatekasia.com

Agent / Distributors :

