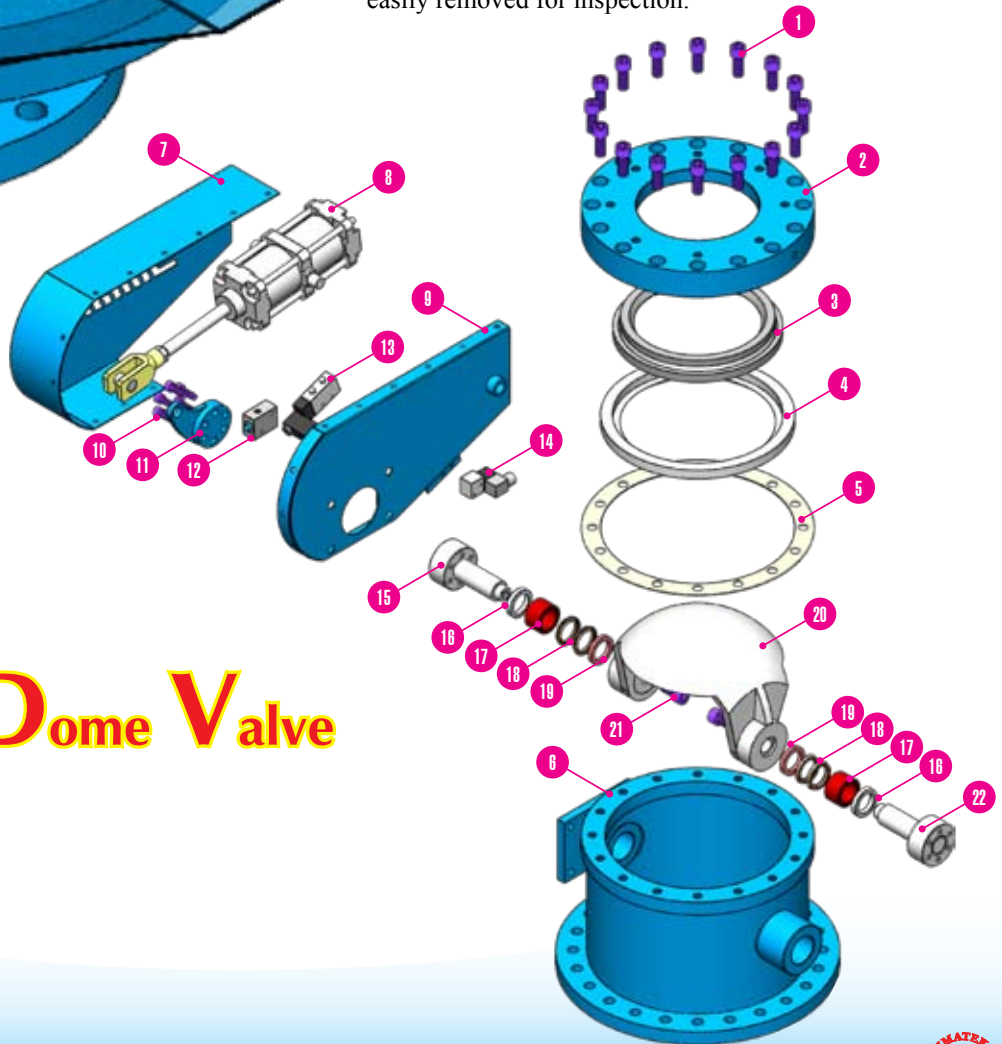
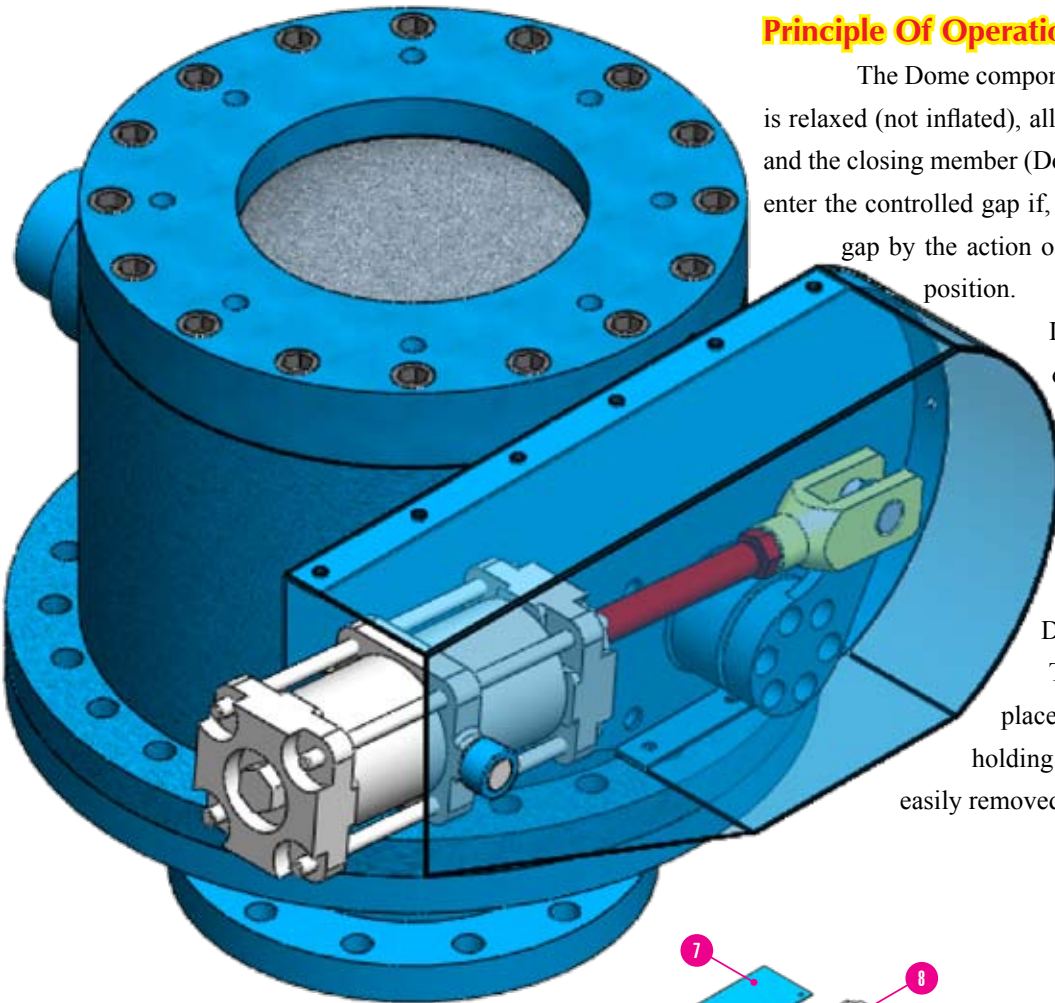


Principle Of Operation

The Dome component closes beneath the seat seal when the seal is relaxed (not inflated), allowing a controlled gap between the seat seal and the closing member (Dome). Material is allowed to pass through or enter the controlled gap if, due to its characteristics, it is pulled into the gap by the action of the Dome component moving to its closed position.

In the closed position, high pressure air or other gas enters the space between the back of the seal face and the insert ring to cause the seal against the dome surface, irrespective of particle size or shape. Before opening the valve, the seat is relaxed, and the controlled gap is reestablished before the Dome component moves to its open position.

The seal is a loose component clamped into place by a spigot piece and external fasteners holding the top plate assembly to the body. the seal is easily removed for inspection.



Dome Valve

ITEM	Description
1	Hexagon Socket Head Cap Screw
2	Cover Plate
3	DV.Seal
4	Support DV.Seal
5	Seal Leather
6	Housing
7	Cover Pneumatic(2)
8	Cylinder Pneumatic
9	Cover Pneumatic(1)
10	Hexagon Socket Head Cap Screw
11	Arm Swing
12	Limit Switch
13	Solenoid Valve
14	Solenoid Valve
15	Shaft
16	Dust Seal
17	Needle Roller Bearing
18	U-Ring Seal
19	Oil Seal
20	Dome Valve
21	Hexagon Socket Head Cap Screw
22	Shaft

Dome Valve

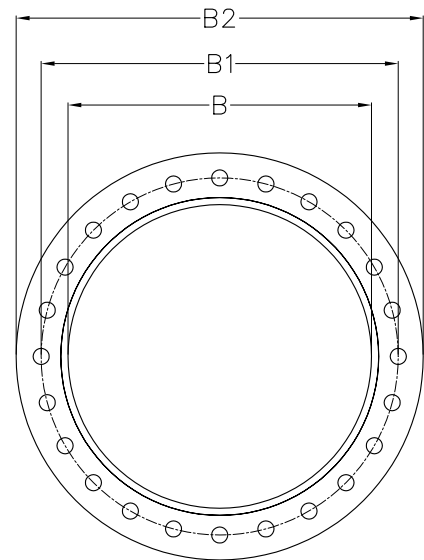
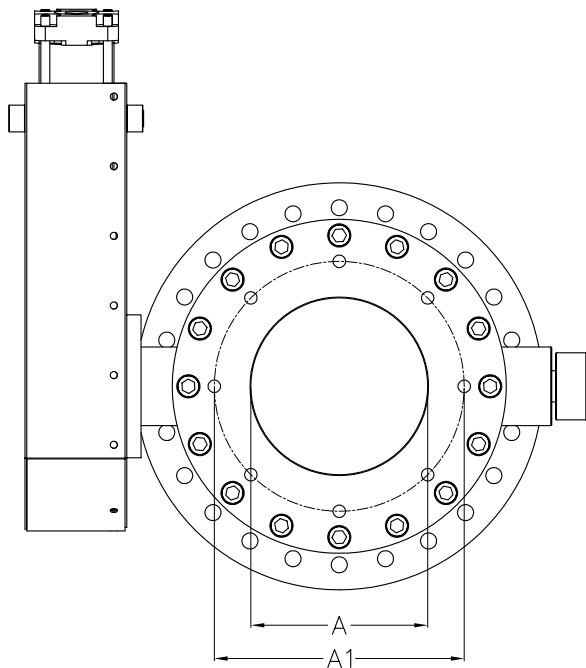
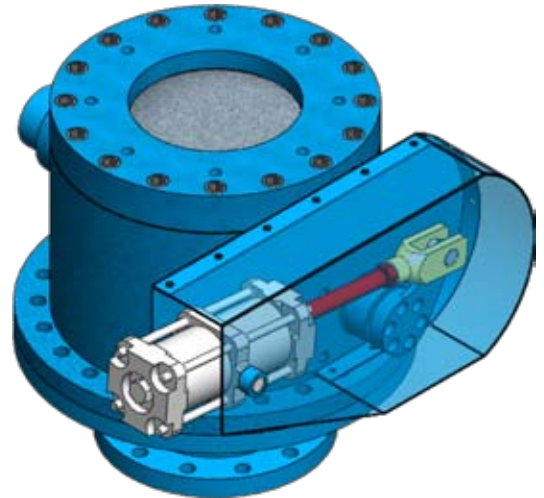
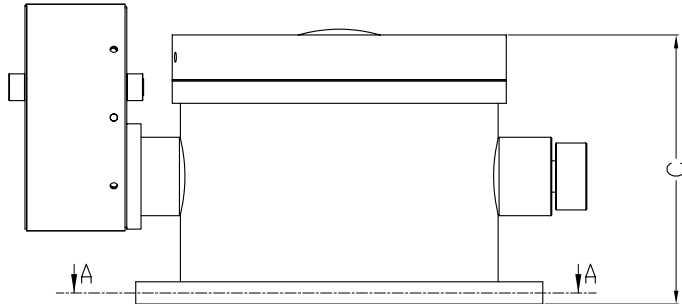
SIMATEK CO., LTD.



Simatek

Air Pollution Control Systems

SIMATEK CO., LTD.



SECTION A-A

Model	SIZE	A	A1	B	B1	B2	C	Bore x Stroke
DV200	8"	φ 198	pcd. φ 280	φ 340	pcd. φ 400	φ 456	302	80 x 130
DV250	10"	φ 250	pcd. φ 354	φ 430	pcd. φ 505	φ 576	381	80 x 130
DV300	12"	φ 300	pcd. φ 425	φ 515	pcd. φ 606	φ 690	457	100 x 140
DV350	14"	φ 350	pcd. φ 495	φ 600	pcd. φ 706	φ 806	533	100 x 140
DV400	16"	φ 400	pcd. φ 565	φ 686	pcd. φ 808	φ 920	610	100 x 150
DV500	20"	φ 500	pcd. φ 706	φ 870	pcd. φ 1025	φ 1170	755	100 x 150

ALL Dimension Can Be Change With Out Information

SIMATEK CO., LTD.

20/9 M6. Soi Chatu Chot 4, Chatu Chot Rd.,
Or-Nerng, Saimai, Bangkok 10220 THAILAND.
Tel:+66 2974 5630 Fax:+66 2974 5640

www.simatekasia.com www.simatek.co.th
e-mail : office@simatekasia.com

Agent / Distributors :