

A Specialist of Air Pollution Control Systems
 ผู้เชี่ยวชาญในระบบบำบัดมลภาวะทางอากาศในโรงงานอุตสาหกรรม
Next Generation Pulse Jet Filter Bag

Simatek
 Air Pollution Control Systems

BAG FILTER Hand ADD



ISO 9001:2008



JM6/08



JM6/08



JM6/15



JM12/15



JM12/18



JM12/18

Easy Install and Low Maintenance

BAG FILTER Hand ADD

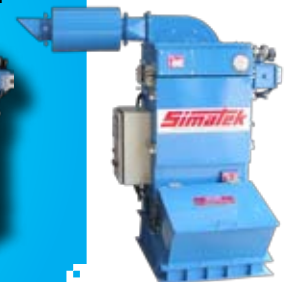
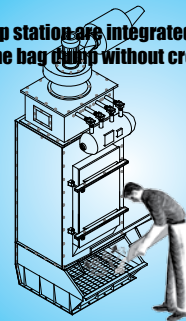


JM6/15

JM6/08

SIMATEK Bag Dump station are integrated pulse jet filter bag. the designed to limit product loss during the bag dump without creating a dusty environment.

- No Product Loss
- No Dust Transport
- No Ducting
- 99.9% Filter Efficiency Down to 1 Micron
- Easy Installation
- Low Maintenance
- Shipped Completely, shop Assembled



SIMATEK CO., LTD.

20/9 M6. Soi Chatu Chot 4,
 Chatu Chot Rd., Or-Nerng, Saimai,
 Bangkok 10220 THAILAND.

Tel: +66 2974 5630 Fax: +66 2974 5640

www.simatekasia.com

www.simatek.co.th

e-mail : office@simatekasia.com

| SIMATEK Hand-Add SPOT FILTER Model : | JM6/08 | JM6/15 | JM12/15 | JM12/18 |
|--|---------------|---------------|---------------|---------------|
| - Centrifugal Fan, Type | SMT 1.1 | SMT 1.5 | SMT 2.2 | SMT 3.7 |
| - Motor (kW.) | 1.1 kW. | 1.5 kW. | 2.2 kW. | 3.7 kW. |
| - Speed (RPM.) | 2,900 | 2,900 | 2,900 | 2,900 |
| - Air Flow (M ³) | 1,000 | 1,500 | 2,200 | 3,000 |
| - Filter Area (M ²) | 2.14 | 4.05 | 8.01 | 9.61 |
| - A/C Ratio (M ³ /M ² /Min.) | 7.79 | 6.17 | 4.58 | 5.20 |
| - Temperature | 40 dg.C. | 40 dg.C. | 40 dg.C. | 40 dg.C. |
| - Bag Quality | Poleyester | Poleyester | Poleyester | Poleyester |
| - Electronic Pulse Jet Control | FC 402 | FC 402 | FC 402 | FC 402 |
| - Air Filter Regulator | SIMATEK's OEM | SIMATEK's OEM | SIMATEK's OEM | SIMATEK's OEM |
| - Air Volume Damper | Optional | Optional | Optional | Optional |
| - Sound Silencer | Optional | Optional | Optional | Optional |
| - Square Flange | Optional | Optional | Optional | Optional |
| - Weight Approximate (kg.) | 200 kg. | 210 kg. | 514 kg. | 525 kg. |

Bag Filter Hand Add

A Specialist of Air Pollution Control Systems
 ผู้เชี่ยวชาญในระบบบำบัดมลภาวะทางอากาศในโรงงานอุตสาหกรรม
Next Generation Pulse Jet Filter Bag

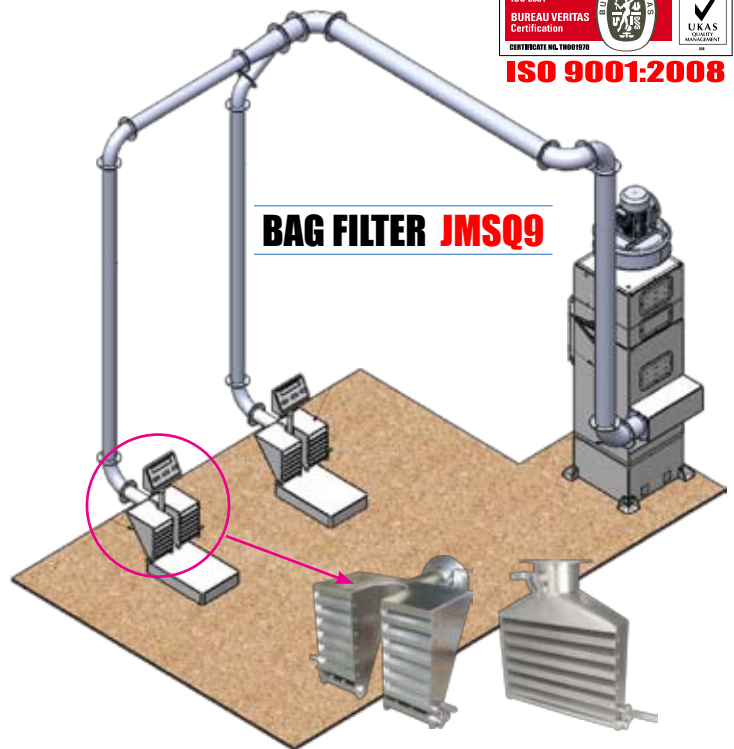
Simatek
 Air Pollution Control Systems

BAG FILTER JMSQ9

Easy install and Low Maintenance



JMSQ9



| SIMATEK Model : | JMSQ9/10 |
|--|---------------|
| - Centrifugal Fan, Type | SMT 2.2 |
| - Motor (kW.) | 2.2 kW. |
| - Speed (RPM.) | 2,900 |
| - Air Flow (M ³) | 2,200 |
| - Filter Area (M ²) | 3.96 |
| - A/C Ratio (M ³ /M ² /Min.) | 4.21 |
| - Temperature | 40 dg.C. |
| - Bag Quality | Polyester |
| - Electronic Pulse Jet Control | FC 402 |
| - Air Filter Regulator | SIMATEK's OEM |
| - Air Volume Damper | Optional |
| - Sound Silencer | Optional |
| - Square Flange | Optional |
| - Weight Approximate (kg.) | 255 kg. |

SIMATEK CO., LTD.

20/9 M6. Soi Chatu Chot 4, Chatu Chot Rd.,
 Or-Nerng, Saimai, Bangkok 10220 THAILAND.
 Tel:+66 2974 5630 Fax:+66 2974 5640

www.simatekasia.com www.simatek.co.th
 e-mail : office@simatekasia.com

